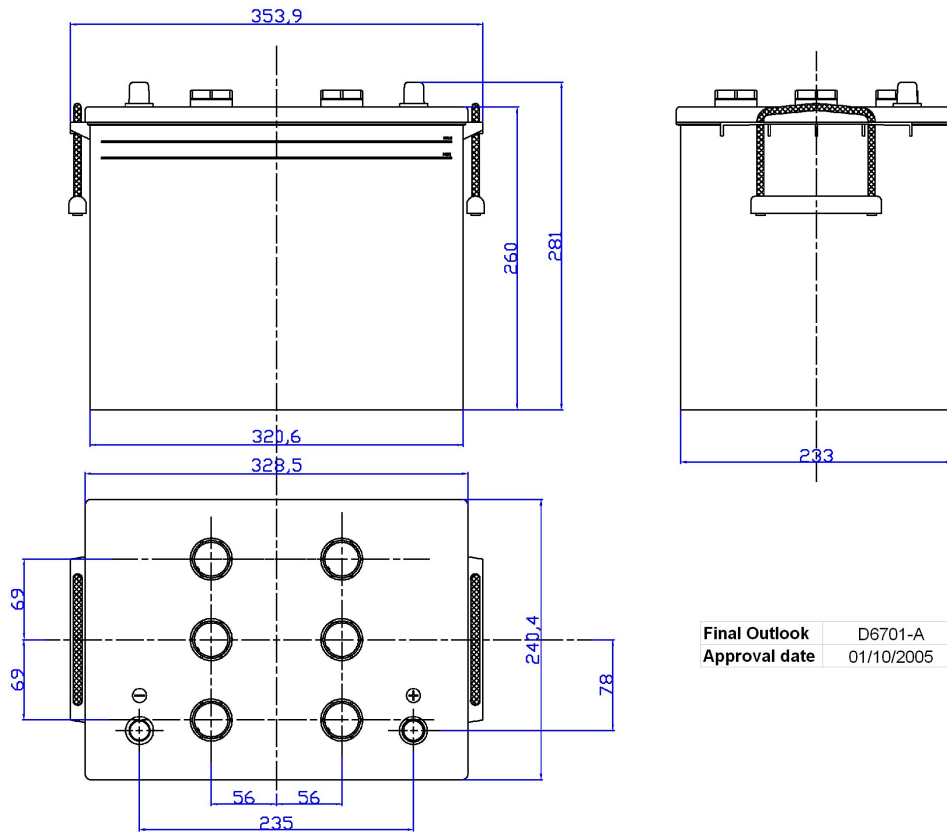


Central Article Code: D67085S01-A
 Local Code:

Created: 06/09/2005
 Modified: 04/03/2014



Final Outlook	D6701-A
Approval date	01/10/2005

PERFORMANCES		CONTAINER	
Voltage (V):	12 V	Type:	D67 BLACK
C20 (Ah):	165.0 20 h	Hold Down:	B0
Cranking (A):	850 EN	H.D. Adapter:	No
Charge:	WET	COVER	
Technology:	Vented/Flooded	Type:	Flat/Screw BLACK
Grid:	Low Sb	Polarity:	ETN 6
		Terminals:	EN taper post
		Terminal Adapter:	No
		SOCI:	No
		Ventilation:	Independent
		Filter:	No
		Lateral Plug:	No
STD. DIMENSIONS		PLUGS	
Length (mm ± 2):	354	Type:	6 x M27 BLACK
Width (mm ± 2):	241	HANDLES	
Height (mm ± 2):	285	Type:	2 x Rope (Rigid holder) BLACK
		OTHERS	
		Degassing Tube:	No

All figures show nominal values. Tolerances are according to EN50342 and applicable European Regulations.